

Defi-Link Display Operations Manual

DF05101

This display is a valuable additional meter for providing information to automobile users about engine conditions and other important factors. When installing and operating this product, be sure to read the cautionary items of this operations manual as well as those given in the operations manual for the vehicle in which this display will be installed. Obtain a full understanding of the cautionary items and use the product accordingly.

In this manual, the degree of hazard arising from actions such as improper operation is separated into the 2 levels "Warning" and "Caution." In addition, instructions that must be followed for safe and proper use of this product as well as practices that must be maintained are marked with a "Check" heading. Please read and become familiar with these sections.

In the event that this product (or the vehicle in which it is installed) is lent to or transferred to another person, please be sure this operations manual accompanies the product.

Danger	indicates an imminently hazardous situation which, if not avoided, will result in death or serious injury.
Warning	indicates a potential hazardous situation which, if not avoided, could result in death or serious injury.
Caution	indicates a potentially hazardous situation which not avoided, may result in minor or moderate injury. It may also be used to alert against unsafe practices.
Confirmation	Indicates an instruction that must be performed or practice that must be maintained.

Before Installation (for installation personnel)

Warning

- Be sure to follow all instructions in this manual to ensure safe installation and operation of the product.
- Carefully consider the installation location and driver's operation of the product before installation. Be sure not to install the unit where it could fall. Improper installation or operation could cause the product to fall and damage the vehicle or present the severe danger of impeding driving of the vehicle but will also void the warranty.
- Do not disassemble or modify this product. Such actions can not only damage or destroy the product but will also void the warranty.
- Do not perform installation of this product immediately after the engine has been switched off. The engine and exhaust system are extremely hot at this time and can cause burns if touched.
- Ensure that the wiring of this product does not have an adverse impact on the other wiring of the vehicle. The controller or other electronic components of the vehicle could be damaged.
- Please keep children and infants away from the installation area. Children may swallow small parts or be injured in other ways.



disassemble/modify

Caution

- This product is designed for use on 12V vehicles. Do not install this product on vehicles with 24V systems.
- Do not install the display in a location with much moisture or dust, or where it will be in direct sunlight, or in an area around heater exhaust vents.
- Wear gloves to avoid burns when soldering and cuts when working with wiring.
- When the negative (-) battery terminal is disconnected, equipment such as clocks and audio components having internal memory may lose their memory data. Follow the operations manual of each component to reset data after installation of this product.



24 V

Confirmation

- After installation is complete, return this operations manual to the customer along with the warranty.

About Installation and Operation (for customer and installation personnel)

Warning

- Please have this product installed by the retail store or dealer where it was purchased. Installation by the customer will void the warranty.
- Do not disassemble or modify this product. Such actions can not only damage or destroy the product but will also void the warranty.
- In order to ensure safe driving, check the information on this display only for short periods of time. Looking at the display for long periods of time could distract adequate attention from the road and result in an accident.
- Discontinue use of this product if nothing is displayed, water gets into the unit, or smoke or a strange odor comes from the unit. If such a condition occurs, contact the sales outlet or installation personnel as soon as possible. Continued use while the condition exists could result in an accident or fire.



disassemble/modify

Caution

- The Defi-Link Display will not operate without connection to Defi-Link Control Unit II or Defi-Link Control Unit.
- When Defi-Link Meters or Defi-Link BF Meters are connected, a maximum of 7 components can be connected, including Defi-Link Display.
- See the Defi-Link System operations manual for installation of Defi-Link sensors.
- Only the Speed Mode will be shown on the Defi-Link Display when no other sensors are connected to Defi-Link Control Unit II or Defi-Link Control Unit. In that case, PEAK Mode and REPLAY Mode will not be available.
- Be sure the speed signal wire is connected when using this display.

Main Features (for customer)

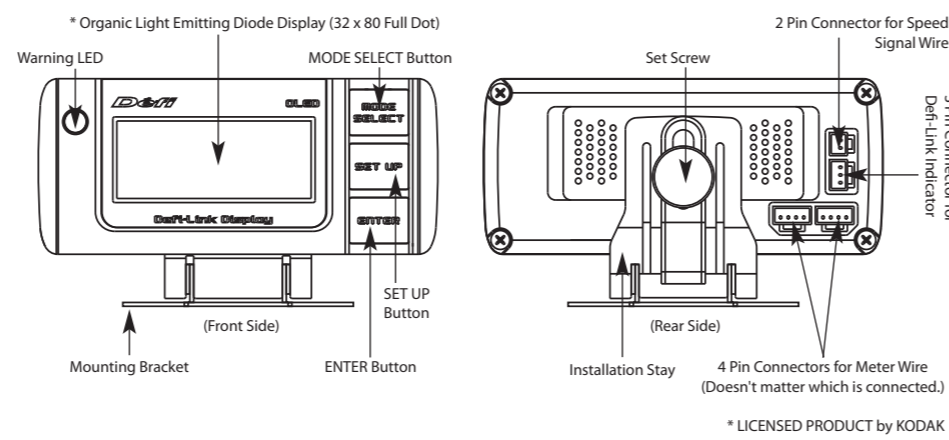
- This product is a multi-purpose monitor for connection to Defi-Link Control Unit II or Defi-Link Control Unit. It uses an organic light emitting diode made by Nippon Seki.
- The monitor's display uses optimal technology for instant readability without afterimages or flicker even when seen from the passenger's seat or in daylight.
- Real-time digital information includes speed, oil temperature, water temperature, oil pressure, fuel pressure and exhaust temperature.
- Vehicle performance data and peak values are placed in memory for 3 minutes, allowing examination of data after turning the vehicle.
- * Defi-Link Control Unit II has a 3 minute memory. Defi-Link Control Unit has a 40 second memory.
- When the RPM signal wire is connected to Defi-Link Control Unit II or Defi-Link Control Unit, 2 warning levels can be set in addition to the warning setting made by Control Unit II or Control Unit, enabling the setting of a total of 3 warning levels. (Tachometer Triple Warning Mode)
- When the water temperature sensor is connected, the warm-up condition can be monitored.
- A graphic animation plays after the ignition is turned on or off. (Opening Mode/Ending Mode)
- An easily recognizable graphic on each setting screen helps guide easy setting of warnings for Defi-Link Meters and Step Graph. (Setting Assistance function)
- The Warning LED lights when the set warning value is exceeded for oil temperature, water temperature, exhaust temperature and engine RPM. The Warning LED lights when measured value drops below the set warning value for oil pressure and fuel pressure.
- Trouble locations are shown by graphics so that connection problems can be quickly corrected. (Self-Diagnosis function)
- The structure of the mounting base allows height and angle adjustment so that it can match the shape of the instrument panel.
- The Defi-Link Indicator (sold separately) can be connected to the display.

Parts List (for customer and installation personnel)

The following parts are included with this product. Confirm that all parts are present before installing the product. In addition, these parts are sold separately for part replacement, so contact your retailer for further information.

Part Name	Quantity	Part Name	Quantity
Defi-Link Display	1	Included Parts Set for Meters	1
Installation Stay	1	(double-sided tape, buffer, mounting bracket, M4 bolt & nut, washer)	
Meter Wire (25cm)	1	Operations Manual	1
Speed Signal Wire (2m)	1	Solderless Connector	1
Set Screw	1		

Part Names (for customer and installation personnel)



Product Specifications (for customer and installation personnel)

Power Supply Voltage	8.5 V to 13.5 VDC (For 12 V vehicles, voltage supplied by Defi-Link Control Unit II or Defi-Link Control Unit.)
Current Consumption	ILM ON MAX 0.2 A ILM OFF MAX 0.2 A
Operational Temperature Range	-20 to +60 C, +14 to +140 F (under 80% relative humidity)
Storage Temperature Range	-40 to +80 C, -22 to +176 F (under 80% relative humidity)
Display Range	- Speedometer 0 to 400 km/h, 0 to 240 MPH - Oil Temperature Meter 50 to 150 C, 122 to 302 F - Water Temperature Meter 20 to 120 C, 68 to 248 F - Oil Pressure Meter 0 to 1,000 kPa, 0 to 145 PSI - Fuel Pressure Meter 0 to 600 kPa, 0 to 87 PSI - Exhaust Temperature Meter 200 to 1,100 C, 390 to 2,010 F
Corresponding Speed Pulse	2, 4, 8, 16, Pulse Free
Dimensions (mm)	34 (W) x 103 (D) x 46 (H) (not including mounting base)
Gross Weight	290g, 2/3 lb (including display, wires, mounting bracket, packaging)

Troubleshooting (for customer and installation personnel)

Warning

- If operation of the product seems unusual, inspect the product to confirm that it is not malfunctioning. If an operational problem has occurred, it could result in an accident.

Condition	Possible Cause	Corrective Action
Does not display.	Wiring is improper.	Check wiring as per instructions in Defi-Link Control Unit II or Defi-Link Control Unit operations manual.
Triple Warning Mode cannot be set.	Display is connected to Meter Output 2 of Defi-Link Control Unit II.	Connect Display to Meter Output 1 of Defi-Link Control Unit II.
Cannot adjust illumination of display.	Display is connected to Meter Output 1 of Defi-Link Control Unit II.	Connect Display to Meter Output 2 of Defi-Link Control Unit II.
A line does not light in the display. A button does not operate. A dot that should not light is lighting.	Defi-Link Display is damaged.	Contact the retail outlet where the unit was purchased.
Speed is not being recorded.	The REC button of Defi-Link Control Unit II or REC/PLAY button of Defi-Link Control Unit has been pressed while the vehicle is stopped.	This is normal for the product. Press REC button or REC/PLAY button while the vehicle is moving.

Installation (for installation personnel)

(Wiring Diagram)

Warning

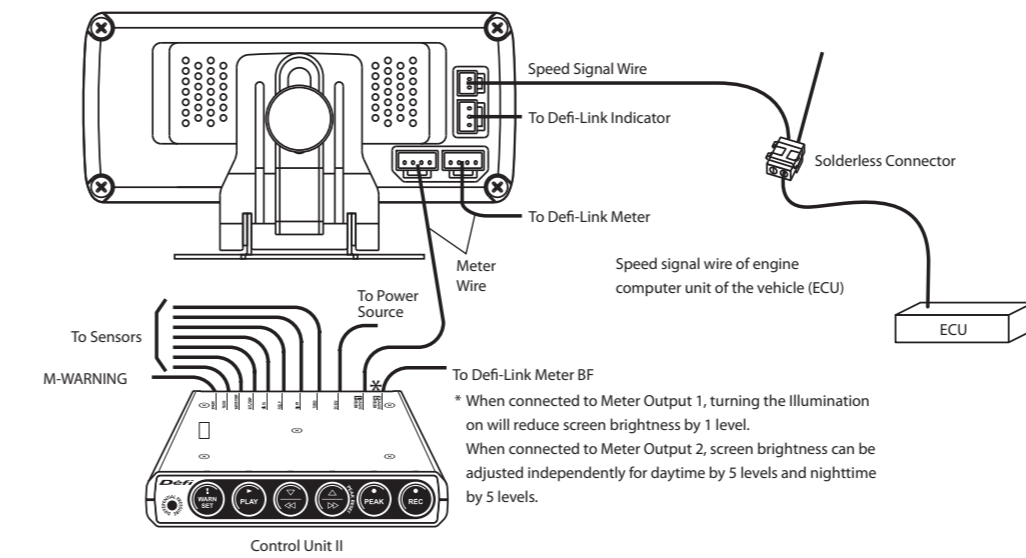
- Carefully read the "Before Installation" and "About Installation and Operation" sections of the manual concerning installation and operation. Then install the product properly and safely.
- Installation in an unsuitable location or improper installation can result in the product falling from its position or damage to the vehicle.
- Open terminals are used for inspection of the product, so never connect wiring to these terminals. Connection to these terminals can damage the product.

Caution

- Be sure to connect the speed signal wire to this product. If the speed signal wire is not connected, the display will stay in the Special Display Mode.

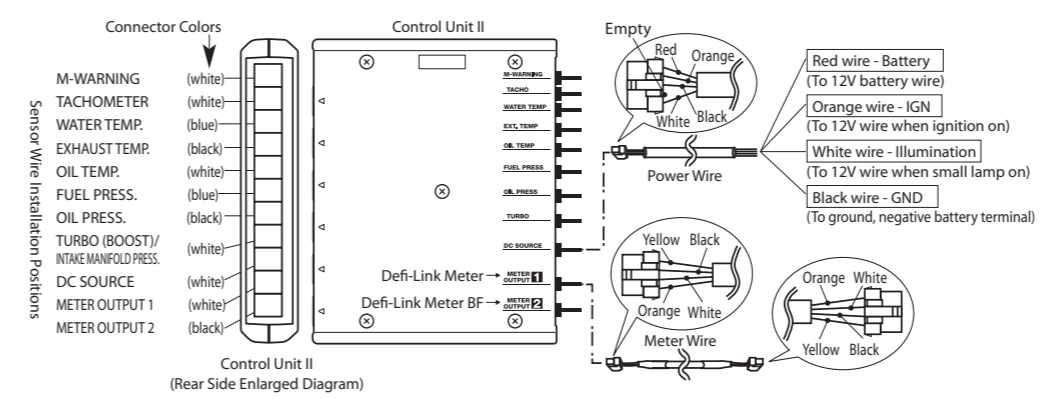
When connected to Defi-Link Control Unit II

The display can be connected to any of Defi-Link Control Unit II (see figure below), Defi-Link Meter and Defi-Link Meter BF. Switching the lighting between the daytime mode and nighttime mode is interlocked with the illumination switch of the vehicle.



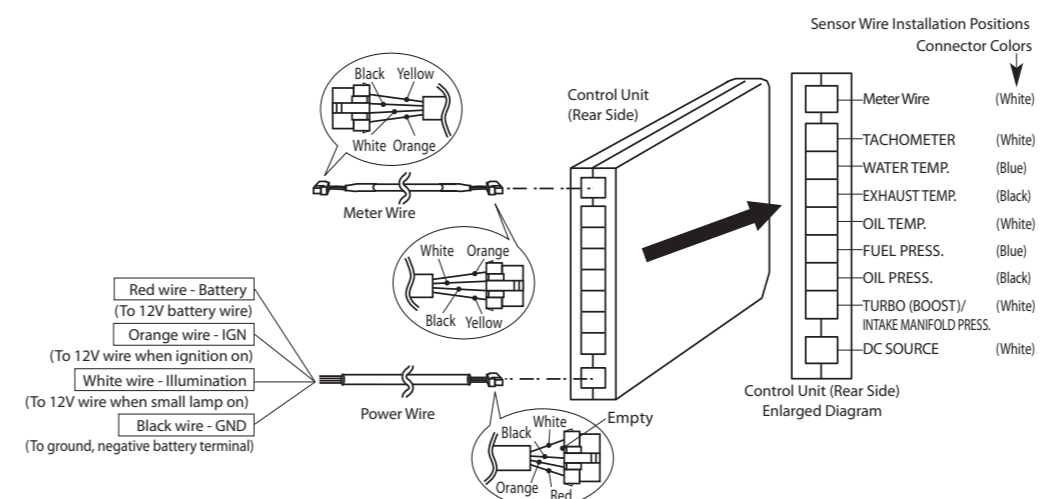
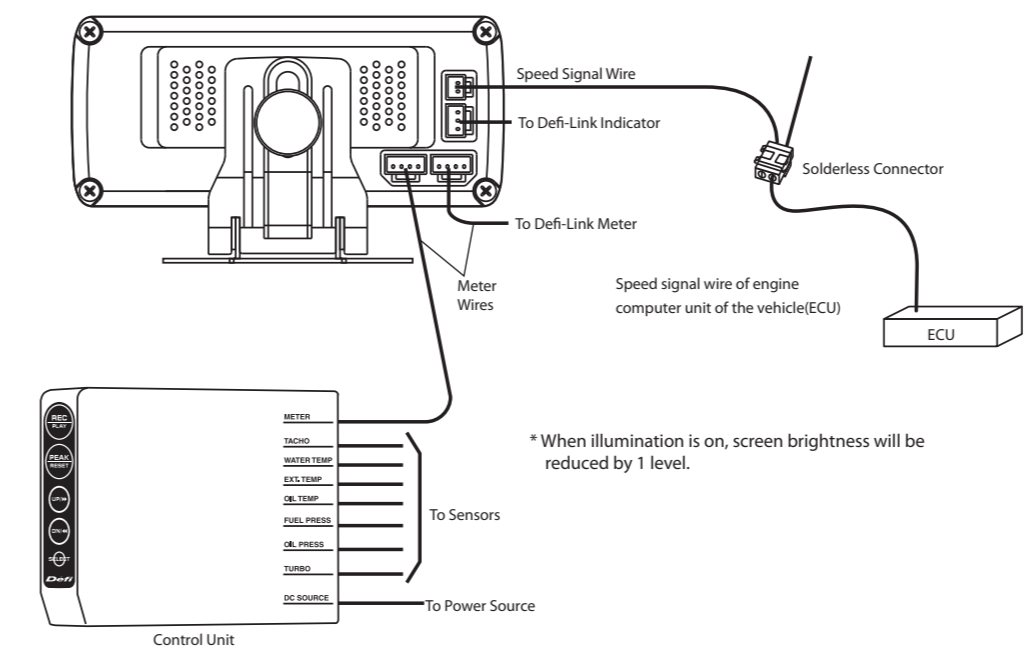
Caution

- When installing or working with the display, be sure to follow the applicable instructions for either Defi-Link Control Unit II or Defi-Link Control Unit as shown in their corresponding manuals.

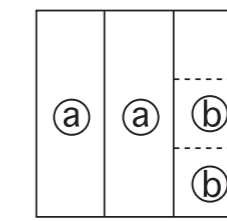


When connected to Defi-Link Control Unit

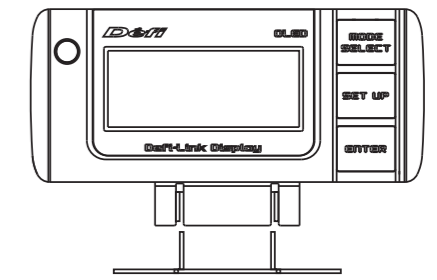
The display can be directly connected to either the Control Unit (see figure below) or Defi-Link Meters.



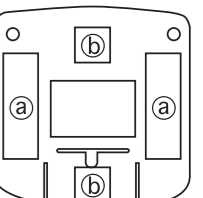
- Installing the Mounting Bracket
- Cut the supplied double-sided tape. [Figure 1]
- Insert the protrusions of the mounting bracket into the slots of the meter holder, then secure with the supplied bolt and nut. [Figure 2]
- Attach the supplied double-sided tape to the underside of the mounting bracket. Align the mounting bracket with the location for unit installation, then bend the mounting bracket to the shape of the location while pressing down so the tape will adhere. To prevent the unit from falling off, secure the mounting bracket with commercially available self-tapping screws. [Figure 3]



[Figure 1]



[Figure 2]

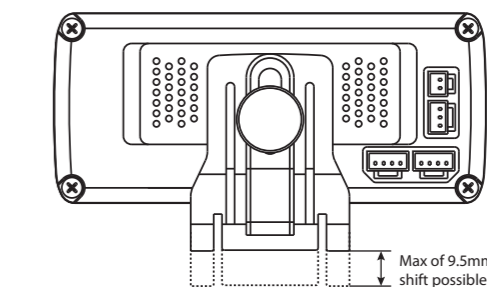


[Figure 3]

Confirmation

- Before attaching the mounting bracket to the dashboard, thoroughly clean the mounting surface with a commercial dashboard cleaner to remove dust, dirt and oils.

- Adjusting the height of the installation stay. Turn the set screw to adjust position on the installation stay so the display is easy to see. (Position can shift up or down by 9.5mm.)



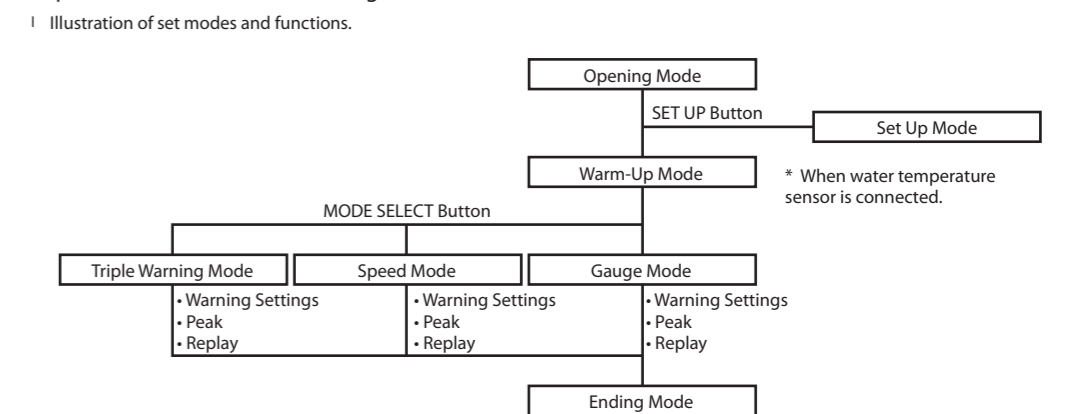
Max of 9.5mm up/down shift possible.

Caution

- Be sure to secure the installation stay in place with the set screw. If the screw is tightened up without the stay being placed between, it can damage the parts and cause failure of the product.

Operation (for customer)

(Operational Status Transition Diagram)



After completion of Opening Mode, Warm-Up Mode elapses and the unit shifts to Triple Warning Mode/Speed Mode/Gauge Mode. The initial setting is Gauge Mode. Each time the MODE SELECT button is pressed, the mode changes consecutively to Gauge Mode > Speed Mode > Triple Warning Mode.

* Triple Warning Mode is not available when connected to Defi-Link Meter BF.

* Only Speed Mode is available if there are no sensors connected to the Defi-Link Control Unit II or Defi-Link Control Unit. In addition, Peak Mode and Replay Mode will not function.

* Be sure to connect the speed signal wire when using this product.

